

SCB ECOSTAR

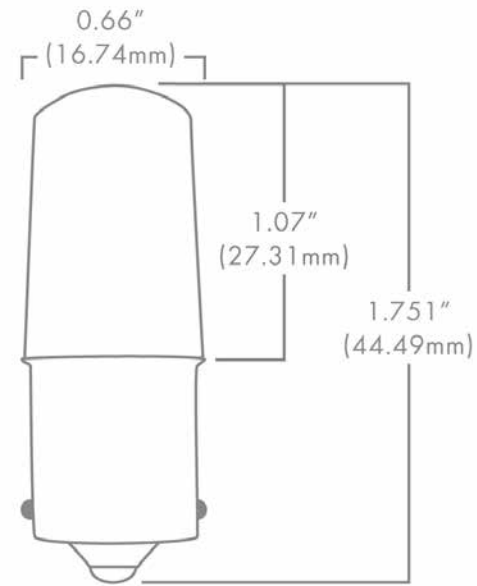


DESCRIPTION

The Brilliance Single Contact Bayonet (SCB) Ecostar is a sub-compact LED that utilizes a multi-directional beam pattern. The SCB Ecostar is energy efficient and water resistant. It is designed specifically for landscape retrofit applications and is ideal for pathway lighting fixtures, and step lights. Designed for budget-conscious landscape lighting projects. Dimmable with Brilliance Dimmer and most magnetic transformers.

FEATURES

- Budget conscious
- High CRI
- Enhanced ESD (Electro-Static Discharge) protection (IEC-61000-4-2)
- Dimmable with Brilliance Dimmer and most magnetic transformers



Part Number: **BRI-SCB-ECO-3-XXXX**

Kelvin

SCB ECOSTAR SPECS

Wattage	3	
Lumens	2700K	3000K
3W	240	245
Beam Spread	Omni-directional	
Kelvin Temperature	2700, 3000	
Operating Range	8-14 VAC/DC	
Replaces	20W Halogen	
CRI	90+	
IP	65	
Lamp Life (hours)	25,000	
Warranty (years)	3	

