

BEACON SCB



DESCRIPTION

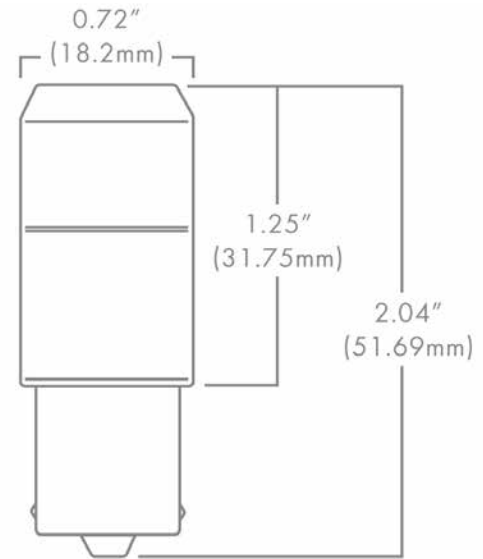
The Brilliance Beacon Single Contact Bayonet (SCB) is a subcompact LED that utilizes the Epistar chipset and features Brilliance's omni-directional beam pattern. This SCB is energy efficient and water resistant. It is designed specifically for landscape retrofit applications and is ideal for pathway lighting fixtures and step lights. Dimmable with Brilliance Dimmer and most magnetic transformers.

FEATURES

- Ceramic technology
- Dimmable with Brilliance Dimmer and most magnetic transformers
- UL Certified E360351

BEACON SCB SPECS

Wattage	2	
Lumens	2700K	3000K
2W	230	245
Beam Spread	Omni-directional	
Kelvin Temperature	2700, 3000	
Operating Range	8-25 VAC/DC	
Replaces	20W Halogen	
CRI	84	
IP	65	
Lamp Life (hours)	35,000	
Warranty (years)	5	



Part Number: **BRI-BEACON-SCB-XXXX**

Kelvin

