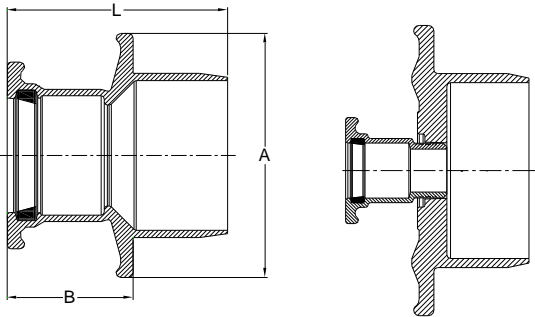


Harco Fittings LLC Ductile Iron IPS Gasketed Fittings

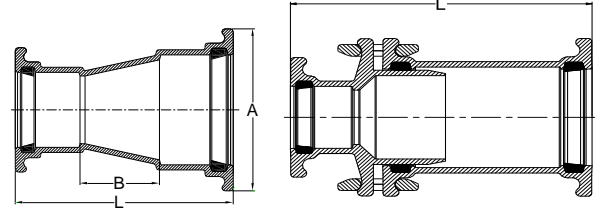
DESIGN DATA

REDUCER – S.E.B. (Small End Bell)



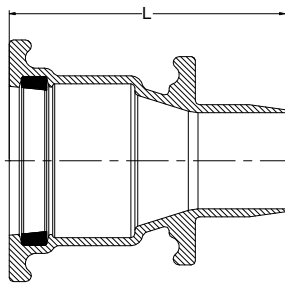
SIZE	PART #	A	B	L	WT (approx)
2½ x 2	80230	5.7	3.1	5.6	4.4
3 x 2	80332	6.5	3.4	6.2	5.3
3 x 2½	80330	6.5	3.4	6.2	5.5
4 x 2	80434	7.5	3.8	6.9	6.8
4 x 2½	80432	7.5	3.6	6.7	6.9
4 x 3	80430	7.5	3.6	6.7	7.7
6 x 3	80634	9.9	4.7	8.5	12.0
6 x 4	80632	9.9	5.1	8.9	13.8
6 x 5	80628	9.9	4.8	8.6	14.0
8 x 4	80834	12.1	6.1	10.3	18.9
8 x 6	80832	12.0	5.8	9.9	22.2
10 x 6	81032	14.8	7.5	12.4	39.3
10 x 8	81030	14.8	7.1	12.0	40.2
12 x 6	81234	17.0	8.5	13.7	49.2
12 x 8	81232	17.0	8.1	13.3	52.0
12 x 10	81230	17.0	8.3	13.5	61.0
14 x 6	81434	20.9	3.6	7.4	80.7
14 x 10	81432	20.9	9.1	14.3	87.3
14 x 12	81430	20.9	8.4	13.7	89.2
16 x 6	81635	23.3	3.6	7.4	96.0
16 x 10	81633	23.3	10.4	17.6	119.2
16 x 12	81632	23.3	9.7	16.9	120.7
16 x 14	81630	23.3	9.9	15.1	141.2
18 x 12	81834MJ				130
18 x 14	81832MJ				175
18 x 16	81830MJ				170

REDUCER (Bell x Bell)



SIZE	PART #	STYLE A			STYLE B		WT (approx)
		A	B	L	STYLE	WT (approx)	
2 x 1½	80130BB	-	-	12.6	B	14.0	
2½ x 1½	80232BB	-	-	13.1	B	15.8	
3 x 2	80332	-	-	12.9	B	17.1	
3 x 2½	80330	-	-	12.9	B	17.3	
4 x 2	80434	-	-	13.2	B	20.3	
4 x 2½	80432	-	-	13.1	B	20.4	
4 x 3	80430	-	-	13.1	B	21.2	
6 x 2	80638BB	-	-	16.2	B	42.4	
6 x 2½	80636BB	-	-	16.8	B	43.5	
6 x 3	80634BB	-	-	17.2	B	37.0	
6 x 4	80630	9.9	5.0	13.4	A	40	
8 x 2½	80838BB	-	-	17.7	B	59.9	
8 x 3	80836BB	-	-	17.9	B	61.1	
8 x 4	80834	-	-	19.6	B	54.3	
8 x 6	80830	12.1	7.0	16.9	A	58.0	
10 x 6	81032	-	-	23.1	B	103.2	
10 x 8	81030	-	-	22.3	B	104.1	
12 x 6	81234	-	-	24.1	B	127.3	
12 x 8	81232	-	-	23.7	B	130.7	
12 x 10	81230	-	-	23.8	B	139.1	
14 x 12	81430BB	-	-	23.9	B	250.0	
16 x 12	81632BB	-	-	25.5	B	314.0	
16 x 14	81630BB	25.3	1.97	17.0	A	137.0	
18 x 14	81832BB					217	
18 x 16	81830BB					202	

REDUCER – L.E.B. (Large End Bell)



SIZE	PART #	L	WT (approx)
3 x 4	80431	8.6	10.1

Notes:

- All lay lengths & weights are approximate and subject to change without notice
- Fabricated fitting configurations may vary

Call For Other Sizes, Configurations & Gasket Materials

Bell & Spigot Specification Note:

- 1½" – 12": Bells and Spigots are IPS size
- 14" – 18": **Bells and Spigots are Ductile Iron Pipe Size (DIPS) for AWWA C905 PVC Pipe or Ductile Iron Pipe**



Harco Fittings LLC

P.O. BOX 10335 • LYNCHBURG, VIRGINIA 24506 • 3721 COHEN PLACE • LYNCHBURG, VIRGINIA 24501
 PHONE: (434) 845-7094 • FAX: (434) 845-8562 • E-MAIL: sales@harcofittings.com • WEB: www.harcofittings.com