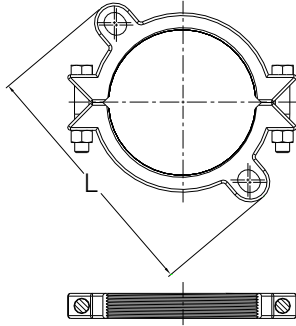


Harco Fittings LLC Ductile Iron IPS Gasketed Fittings

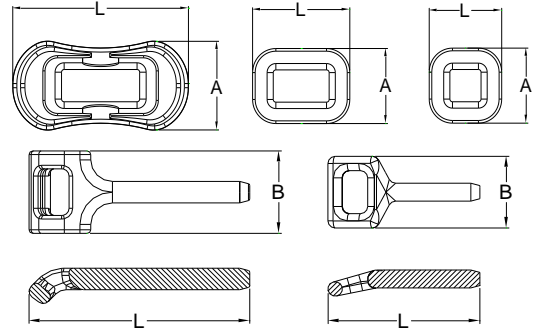
DESIGN DATA

PIPE to PIPE RESTRAINT



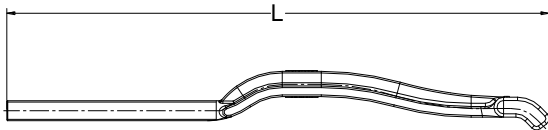
SIZE	PART #	L	WT (approx)
2	820115	6.3	2.5
2½	820215	6.8	2.7
3	820315	7.6	3.4
4	820415	9.4	4.6
6	820615	11.5	6.3
8	820815	13.4	8.9
10	821015	16.7	17.6
12	821215	19.3	20.6
14	821415	21.3	44.0
16	821615		

CONNECTING LINKS and EYE BOLTS



SIZE	PART #	A	B	L	WT (approx)
Small Link (1½ - 8)	82000	3.5	-	3.5	1.1
Transition Link (10-12)	82004	3.5	-	4.7	1.3
Heavy Duty Link (10-12)	82003	4.1	-	8.5	3.6
5/8 x 3 Bolt	82001	-	2.5	5.3	0.7
5/8 x 12 Bolt	82001-12	-	2.5	14.8	1.7
3/4 x 3 Bolt	82002-3	-	-	-	-
3/4 x 4 Bolt	82002	-	2.9	7.6	1.6

FITTING to VALVE to PIPE RESTRAINT



SIZE	PART #	L	WT (approx)
2	820121	14.8	1.7
2½	820221	14.8	1.7
3	820321	14.8	1.7
4	820421	17.8	2.8
6	820621	20.9	3.9
8	820821	22.7	5.2
10	821021	20.2	12.1
12	821221	24.4	16.6

Notes:

- All lay lengths & weights are approximate and subject to change without notice
- Fabricated fitting configurations may vary

Call For Other Sizes, Configurations & Gasket Materials

Bell & Spigot Specification Note:

- 1½" – 12": Bells and Spigots are IPS size
- 14" – 18": **Bells and Spigots are Ductile Iron Pipe Size (DIPS) for AWWA C905 PVC Pipe or Ductile Iron Pipe**



Harco Fittings LLC

P.O. BOX 10335 • LYNCHBURG, VIRGINIA 24506 • 3721 COHEN PLACE • LYNCHBURG, VIRGINIA 24501
 PHONE: (434) 845-7094 • FAX: (434) 845-8562 • E-MAIL: sales@harcofittings.com • WEB: www.harcofittings.com

DD_DI_20220408